

Thermocouple Polarity on Mold End of Cable & Mold
 (+) on pins 3, 7, 11, 15
 (-) on pins 4, 8, 12, 16

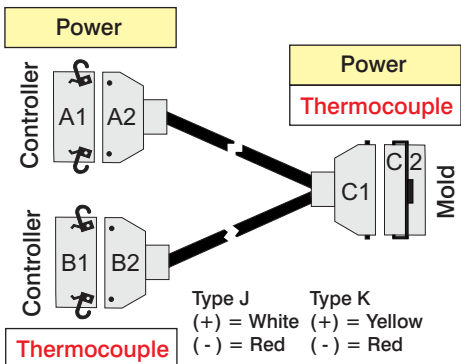
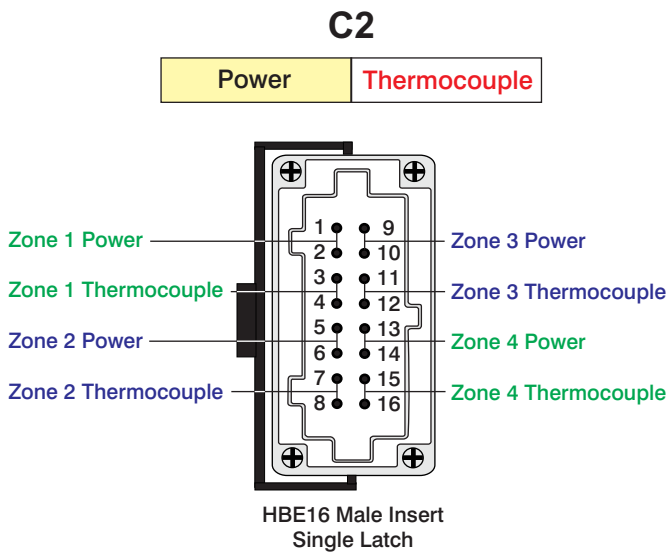
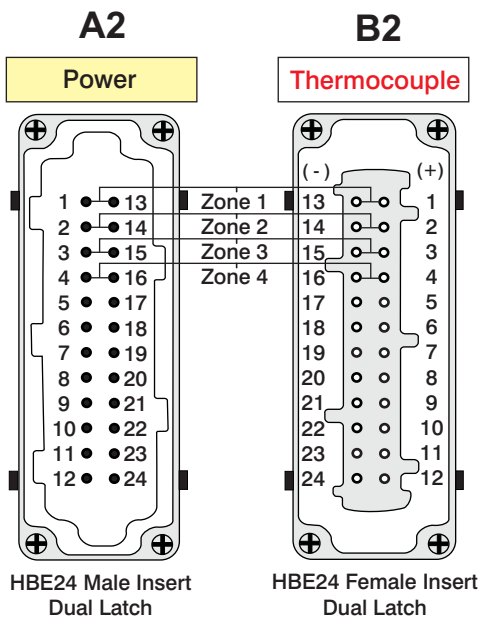
DWG 74

Date: 9.13.2006
 Enclosure: HBE24 - Dual Latch - Power
 Tool End: HBE16- Single Latch - Power & T/C
 Yudo® 4 zone standard

Gammflux®

Sterling, VA USA Tel. +1-(703) 471-5050
 Wiesbaden, Germany Tel. +49-(0)-611-973430
 Ube, Japan Tel. +81-(836) 54-4369
 www.gammflux.com; www.gammflux.de

Yudo® is a registered trademark of Yudo Corporation



Item	Part Number(s)			
	Base	Hood	Insert	Strain Relief
A1	6124-040		6124-008	
A2		6124-150	6124-007	6124-038
B1	6124-040		6124-007	
B2		6124-081	6124-008	6124-036
C1				
C2				
Power & T/C Cable	WAE49E16YC?F??			