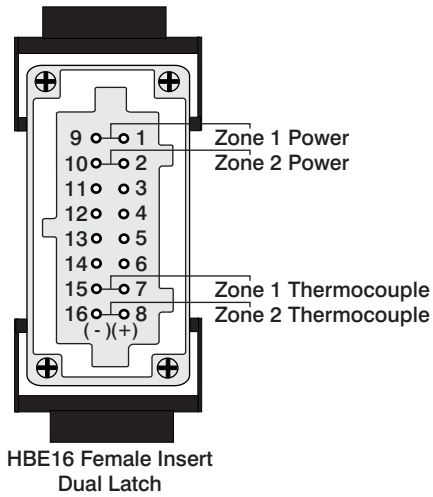
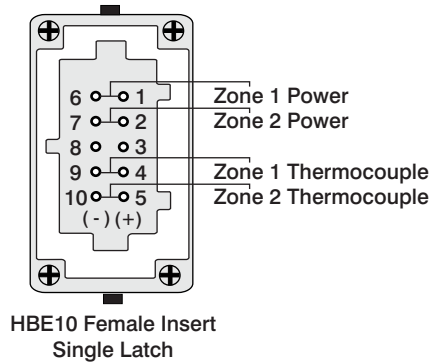


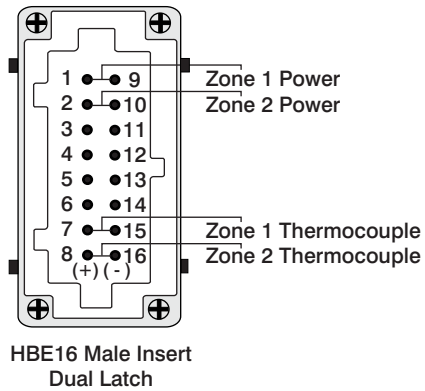
A1



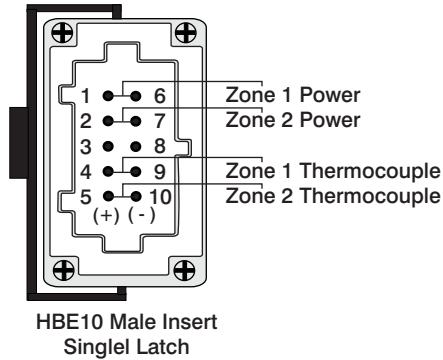
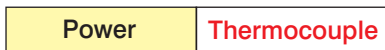
A3



A2



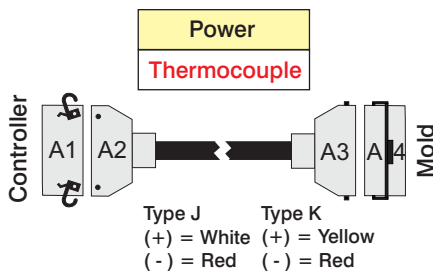
A4



DWG 68

Date: 8.24.2004
 Enclosure: Standard HBE16 - Dual Latch
 Tool End: HBE10 - Single Latch - T/C & Power

Gammflux
 Sterling, VA USA Tel. +1-(703) 471-5050
 Wiesbaden, Germany Tel. +49-(0)-611-973430
 Ube, Japan Tel. +81-(836) 54-4369
 www.gammflux.com; www.gammflux.de



Item	Part Number(s)			Strain Relief
	Base	Hood	Insert	
A1	6124-061		6124-006	
A2		6124-053		6124-038
A3		6124-087	6124-004	6124-036
A4	6124-014		6124-003	
Power & T/C Cable	WAE16E10SC?F??			