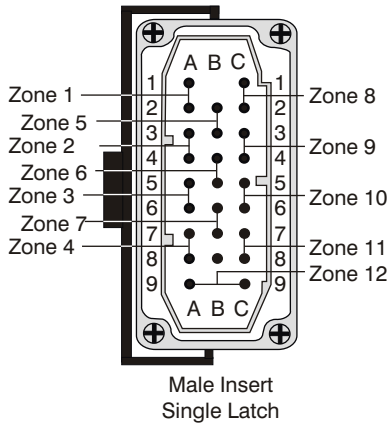


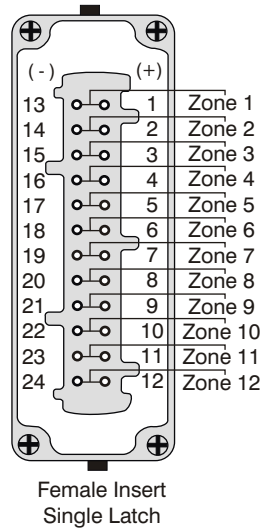
A1

Thermocouple



A3

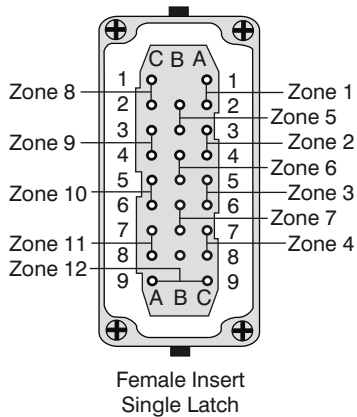
Thermocouple



Thermocouple Polarity on Enclosure & Controller End of Cable
(+) on pins A1, A3, A5, A7, B2, B4, B6, C1, C3, C5, C7, A9
(-) on pins A2, A4, A6, A8, B3, B5, B7, C2, C4, C6, C8, C9

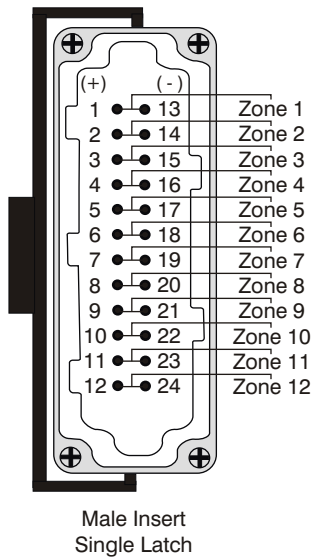
A2

Thermocouple



A4

Thermocouple



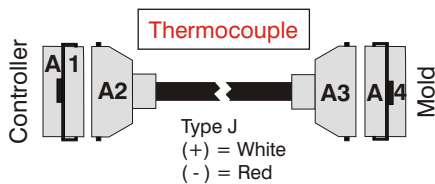
DWG T25-1-T24-1D

Date: 8.24.2004
Enclosure: DME® Standard Enclosure
Tool End: DME® MTC 12G

Gammalux
®

Sterling, VA USA Tel. +1-(703) 471-5050
Wiesbaden, Germany Tel. +49-(0)-611-973430
Ube, Japan Tel. +81-(836) 54-4369
www.gammalux.com; www.gammalux.de

DME® is a registered trademark of D-M-E Company



Part Number(s)

Item	Base	Hood	Insert	Strain Relief
A1	6124-027		6124-025	
A2		6124-157	6124-026	6124-052
A3		6124-022	6124-008	6124-036
A4	6124-016		6124-007	
T/C Cable	T25-1-T24-1D			