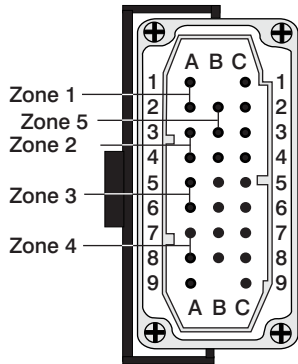


A1

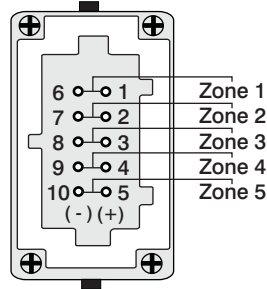
Thermocouple



HD25 Male Insert
Single Latch

A3

Thermocouple

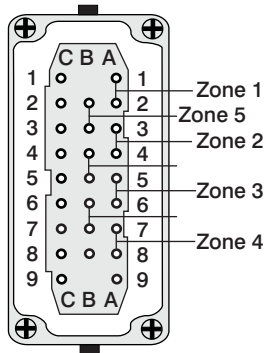


HBE10 Female Insert
Single Latch

Thermocouple Polarity on Enclosure & Controller End of Cable
(+) on pins A1, A3, A5, A7, B2, B4, B6, C1, C3, C5, C7, A9
(-) on pins A2, A4, A6, A8, B3, B5, B7, C2, C4, C6, C8, C9

A2

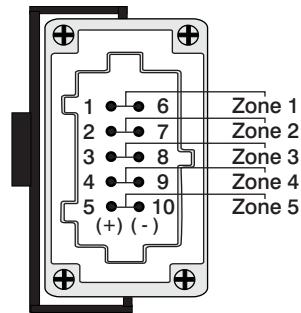
Thermocouple



HD25 Female Insert
Single Latch

A4

Thermocouple



HBE10 Male Insert
Single Latch

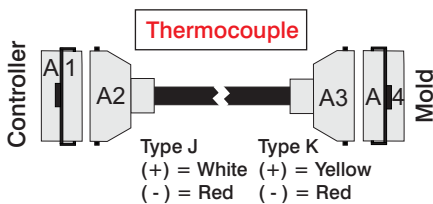
DWG 61

Date: 8.24.2004
Enclosure: DME[®] Standard Enclosure
Tool End: DME[®] MTC 5G

DME[®] is a registered trademark of D-M-E Company



Sterling, VA USA Tel. +1-(703) 471-5050
Wiesbaden, Germany Tel. +49-(0)-611-973430
Ube, Japan Tel. +81-(836) 54-4369
www.gammaflux.com; www.gammaflux.de



Part Number(s)

Item	Base	Hood	Insert	Strain Relief
A1	6124-027		6124-025	
A2		6124-057	6124-026	6124-052
A3		6124-087	6124-004	6124-036
A4	6124-014		6124-003	
T/C Cable	WAD25E10FT?F??			