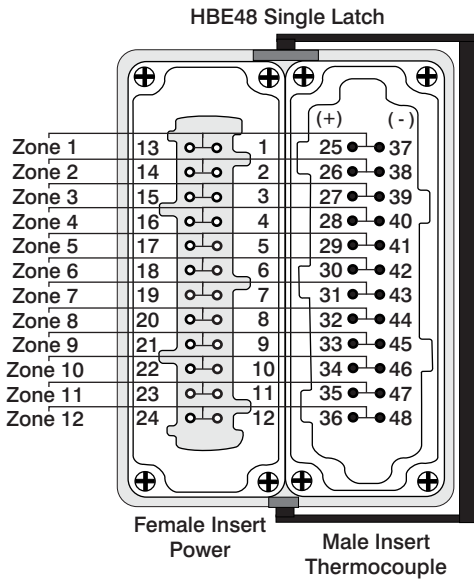
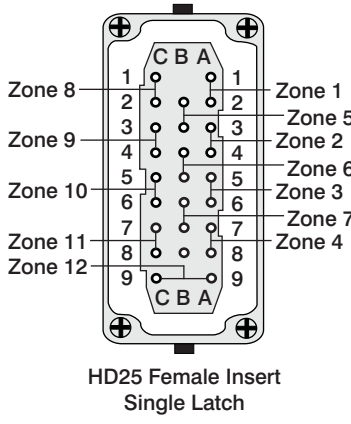


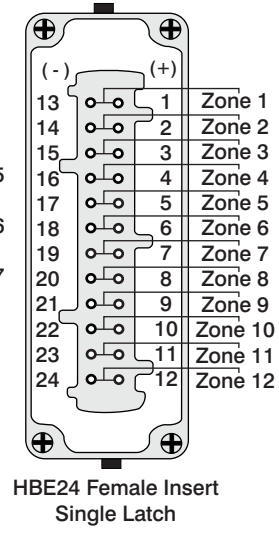
A1



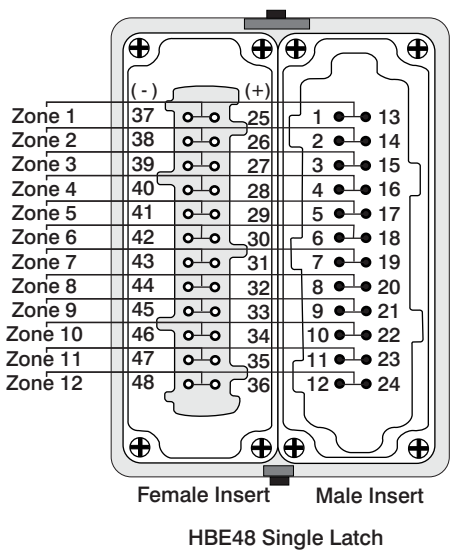
B1



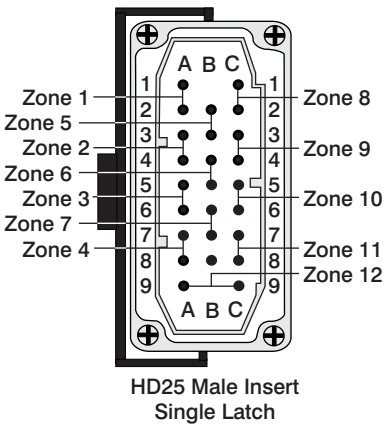
C1



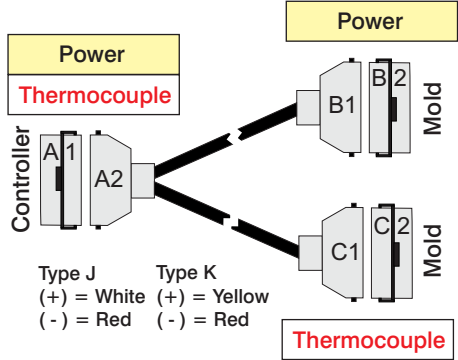
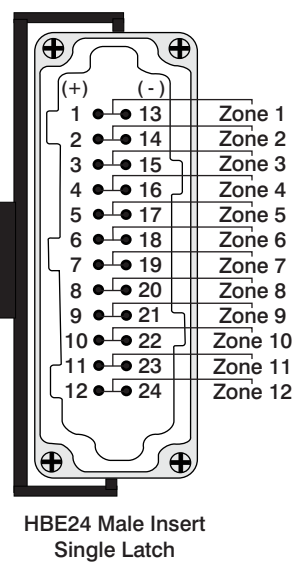
A2



B2



C2



DWG 47

Date: 8.24.2004
 Enclosure: HBE48 -Single Latch
 Tool End: DME[®] PIC/MTC 12G

Gammflux[®]

Sterling, VA USA Tel. +1-(703) 471-5050
 Wiesbaden, Germany Tel. +49-(0)-611-973430
 Ube, Japan Tel. +81-(836) 54-4369
 www.gammflux.com; www.gammflux.de

DME[®] is a registered trademark of D-M-E Company

Item	Part Number(s)			
	Base	Hood	Insert	Strain Relief
A1				
A2				
B1				
B2				
C1				
C2				
Power & T/C Cable	WAE48?50SC?F??			