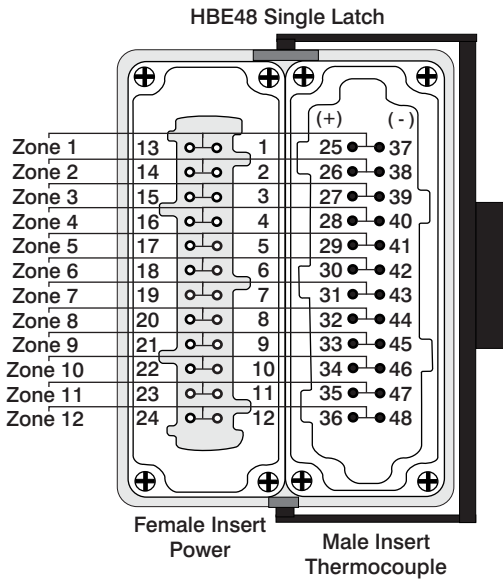
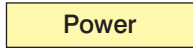


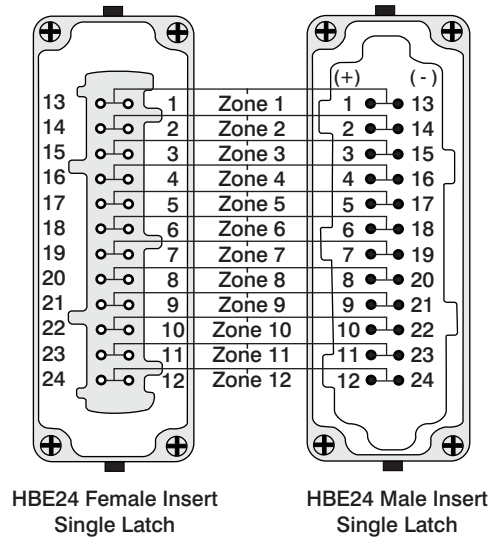
### A1



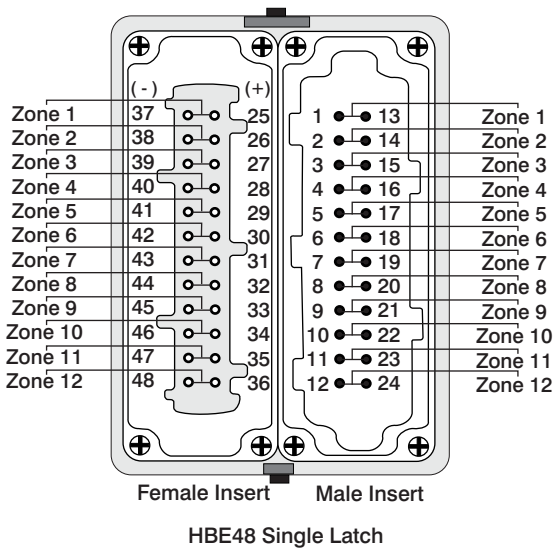
### B1



### C1



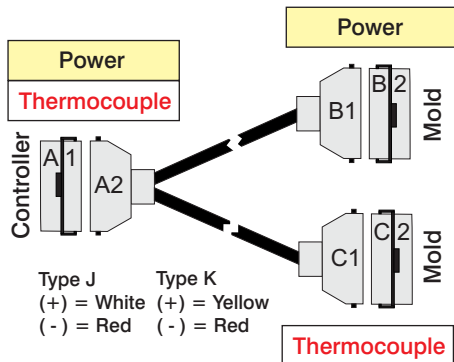
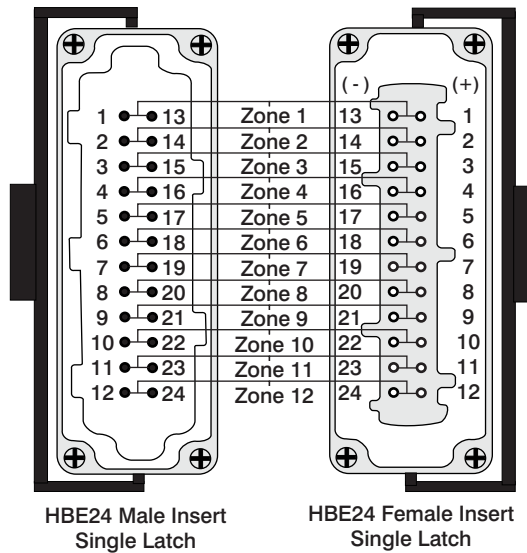
### A2



### B2



### C2



Item	Part Number(s)			
	Base	Hood	Insert	Strain Relief
A1				
A2				
B1				
B2				
C1				
C2				
Power & T/C Cable	WAE48E49SC?F??			

DWG 44

Date: 8.24.2004  
 Enclosure: HBE48 -Single Latch  
 Tool End: HBE24 - Single Latch



Sterling, VA USA Tel. +1-(703) 471-5050  
 Wiesbaden, Germany Tel. +49-(0)-611-973430  
 Ube, Japan Tel. +81-(836) 54-4369  
 www.gammaflux.com; www.gammaflux.de