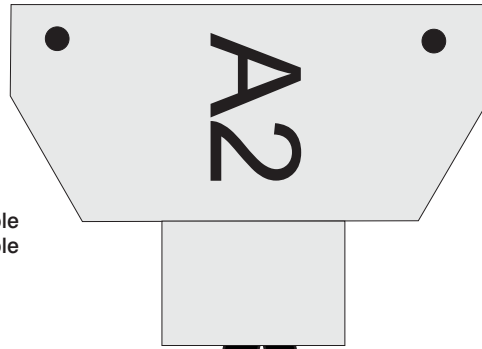
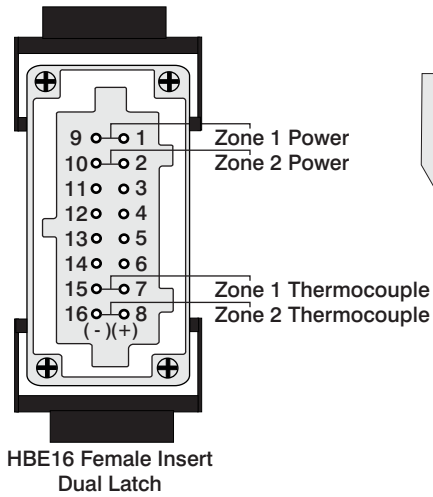
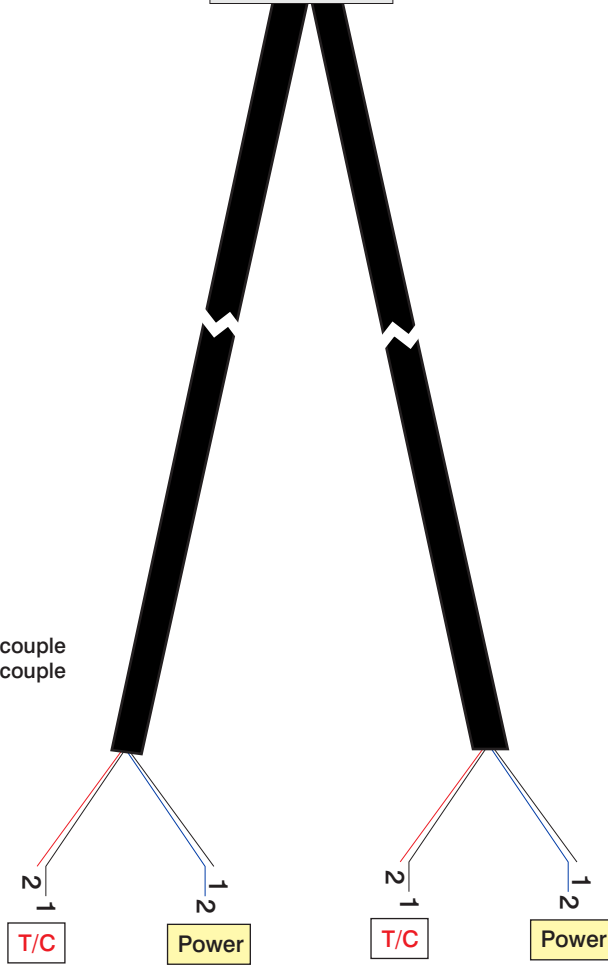
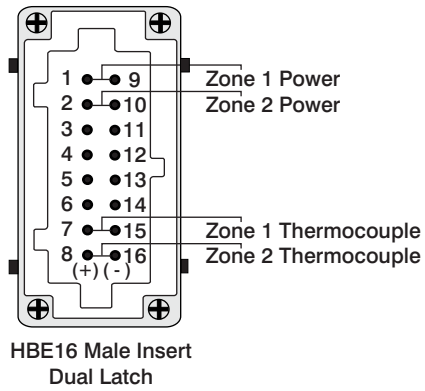


A1



A2

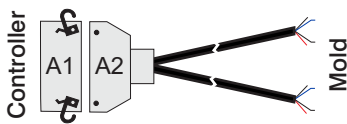
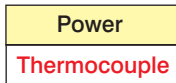


DWG 41

Date: 8.24.2004
Enclosure: Standard HBE16 - Dual Latch
Tool End: Flying Leads

Gammflux[®]

Sterling, VA USA Tel. +1-(703) 471-5050
Wiesbaden, Germany Tel. +49-(0)-611-973430
Ube, Japan Tel. +81-(836) 54-4369
www.gammflux.com; www.gammflux.de



Type J Type K
(+) = White (+) = Yellow
(-) = Red (-) = Red

Part Number(s)

Item	Base	Hood	Insert	Strain Relief
A1	6124-061		6124-006	
A2		6124-078	6124-005	6124-052
Power & T/C Cable	WAE16F000C?F??			