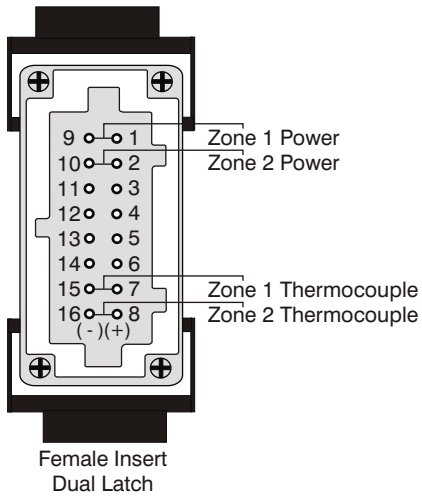
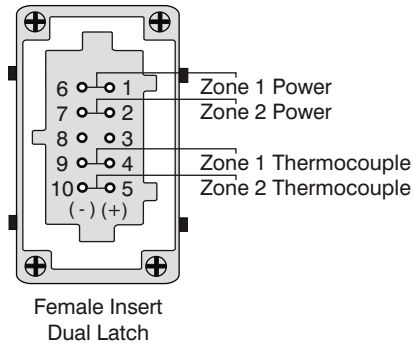


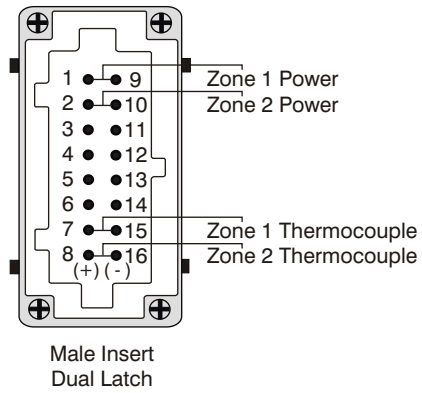
### A1



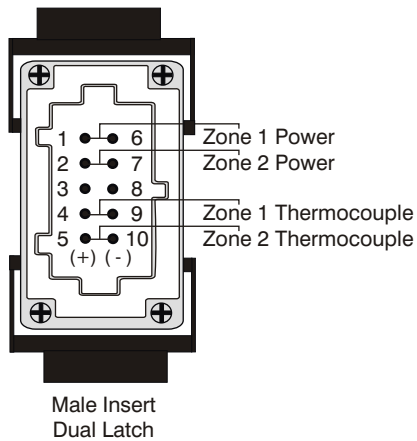
### A3



### A2



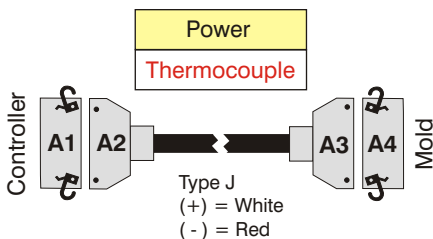
### A4



**DWG 26**

Date: 8.24.2004  
 Enclosure: Standard HBE16 - Dual Latch  
 Tool End: HBE10 - Dual Latch - T/C & Power

**Gammflux**  
 Sterling, VA USA Tel. +1-(703) 471-5050  
 Wiesbaden, Germany Tel. +49-(0)-611-973430  
 Ube, Japan Tel. +81-(836) 54-4369  
 www.gammflux.com; www.gammflux.de



Item	Part Number(s)			Strain Relief
	Base	Hood	Insert	
A1	6124-061		6124-006	
A2		6124-053		6124-038
A3		6124-084	6124-004	6124-038
A4	6124-083		6124-003	
Power & T/C Cable	WAE16E10DC?F??			