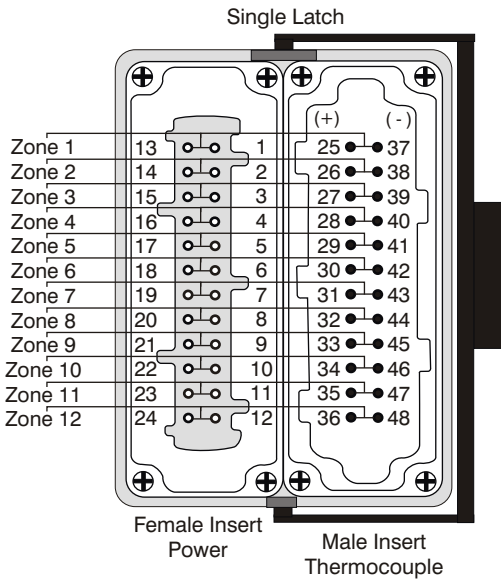
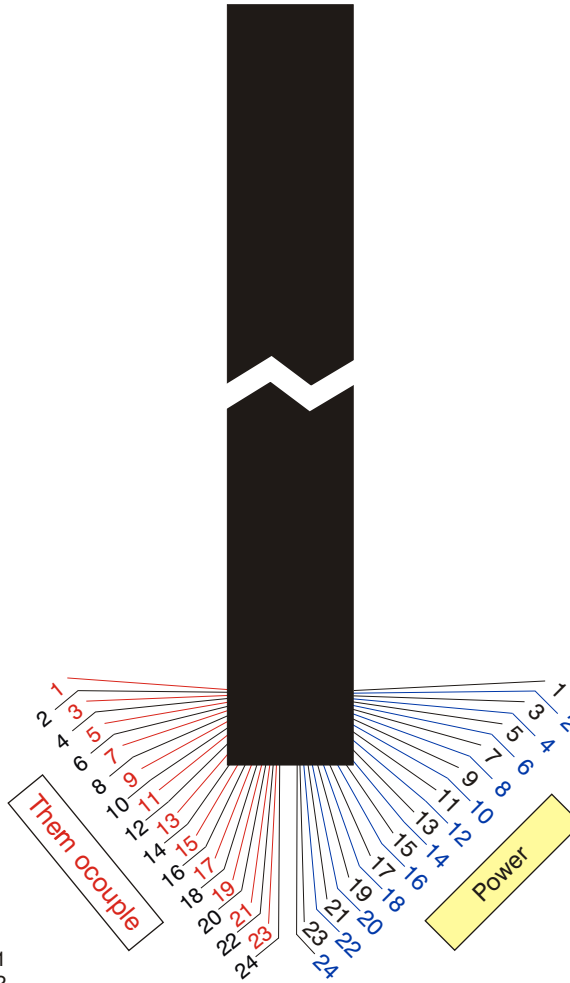
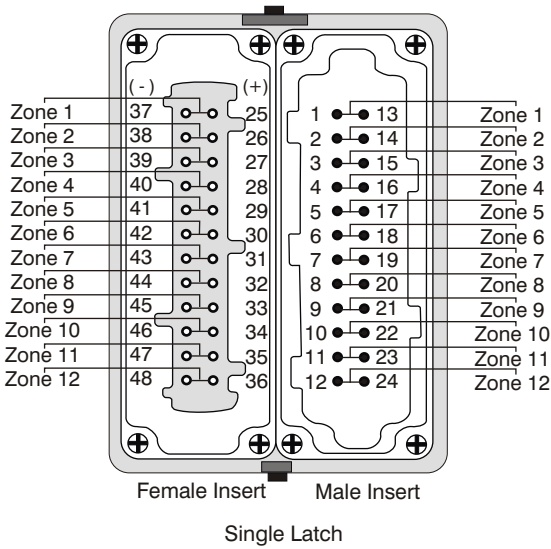


# A1



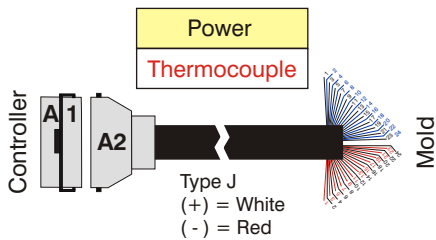
# A2



**DWG 23**

Date: 8.24.2004  
 Enclosure: HBE48 - Single Latch  
 Tool End: No Connectors Supplied

**Gammflux**  
 Sterling, VA USA Tel. +1-(703) 471-5050  
 Wiesbaden, Germany Tel. +49-(0)-611-973430  
 Ube, Japan Tel. +81-(836) 54-4369  
 www.gammflux.com; www.gammflux.de



Item	Part Number(s)			
	Base	Hood	Insert	Strain Relief
A1	6124-018		6124-008/011	
A2		6124-079	6124-007/012	6124-080
Power & T/C Cable	WAE24F000C?F??			