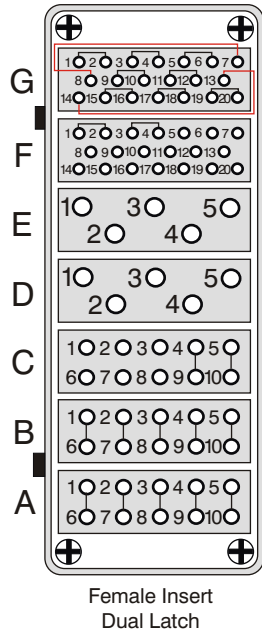
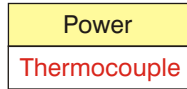


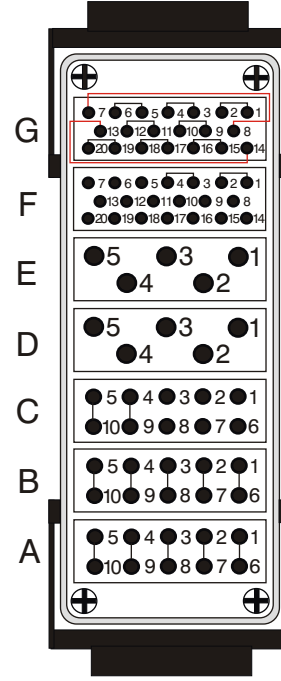
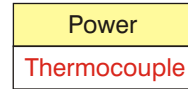
Thermocouple Polarity on Enclosure & Controller End of Cable  
 (+) on pins A1, A3, A5, A7, B2, B4, B6, C1, C3, C5, C7, A9  
 (-) on pins A2, A4, A6, A8, B3, B5, B7, C2, C4, C6, C8, C9

C1



Female Insert Dual Latch

C2



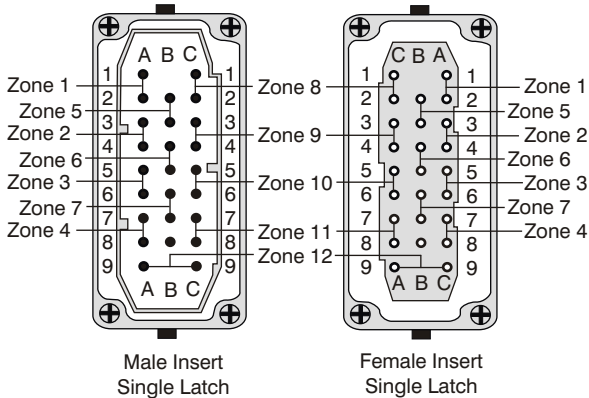
Male Insert Dual Latch

A2

Power

B2

Thermocouple



Zone	Max. Amps	Power	Thermocouple
1	10	A5 & A10	*G1 & G2
2	10	A4 & A9	*G3 & G4
3	10	A3 & A8	*G5 & G6
4	10	A2 & A7	*G7 & G8
5	10	A1 & A6	*G9 & G10
6	10	B5 & B10	*G11 & G12
7	10	B4 & B9	*G13 & G14
8	10	B3 & B8	*G15 & G16
9	10	B2 & B7	*G17 & G18
10	10	B1 & B6	*G19 & G20
11	10	C5 & C10	*F1 & F2
12	10	C4 & C9	*F3 & F4

\* Positive (+) Thermocouple Lead

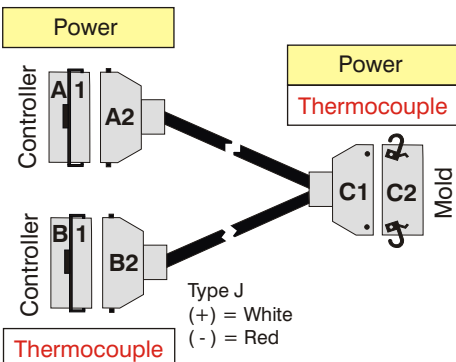
DWG 19

Date: 8.24.2004  
 Enclosure: DME® Standard Enclosure  
 Tool End: CT-0120 - Dual Latch



Sterling, VA USA Tel. +1-(703) 471-5050  
 Wiesbaden, Germany Tel. +49-(0)-611-973430  
 Ube, Japan Tel. +81-(836) 54-4369  
 www.gammaflux.com; www.gammaflux.de

DME® is a registered trademark of D-M-E Company



Item	Part Number(s)			
	Base	Hood	Insert	Strain Relief
A1	6124-027		6124-026	
A2		6124-157	6124-025	6124-052
B1	6124-027		6124-025	
B2		6124-157	6124-026	6124-036
C1		6124-164	N/A	6124-068
C2	6124-040		N/A	
Power & T/C Cable	WAD51E80DC?F??			