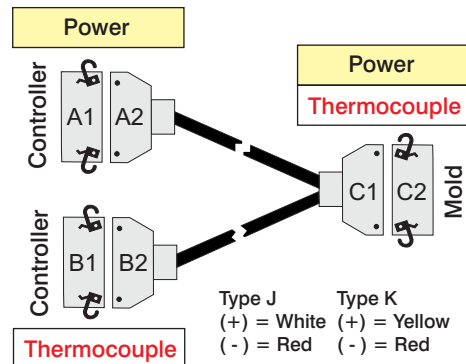


Zone	Max. Amps	Power	Thermocouple
1	10	A5 & A10	*G1 & G2
2	10	A4 & A9	*G3 & G4
3	10	A3 & A8	*G5 & G6
4	10	A2 & A7	*G7 & G8
5	10	A1 & A6	*G9 & G10
6	10	B5 & B10	*G11 & G12
7	10	B4 & B9	*G13 & G14
8	10	B3 & B8	*G15 & G16
9	10	B2 & B7	*G17 & G18
10	10	B1 & B6	*G19 & G20
11	10	C5 & C10	*F1 & F2
12	10	C4 & C9	*F3 & F4

\* Positive (+) Thermocouple Lead



Item	Part Number(s)			
	Base	Hood	Insert	Strain Relief
A1	6124-040		6124-008	
A2		6124-050	6124-007	6124-038
B1	6124-040		6124-007	
B2		6124-081	6124-008	6124-036
C1		6124-164	N/A	6124-068
C2	6124-040		N/A	
Power & T/C Cable	WAE49E80DC???			

DWG 18

Date: 8.24.2004  
Enclosure: Standard HBE24 - Dual Latch  
Tool End: CT-0120 - Dual Latch



Sterling, VA USA Tel. +1-(703) 471-5050  
Wiesbaden, Germany Tel. +49-(0)-611-973430  
Ube, Japan Tel. +81-(836) 54-4369  
www.gammaflux.com; www.gammaflux.de