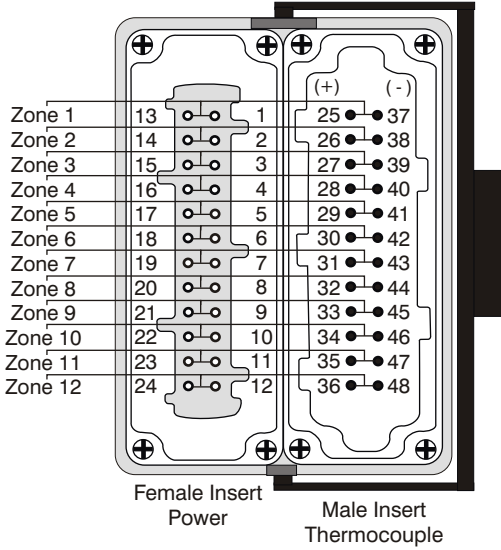


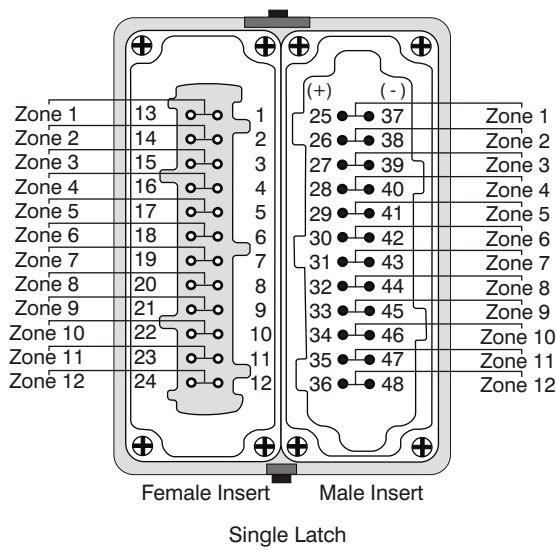
A1



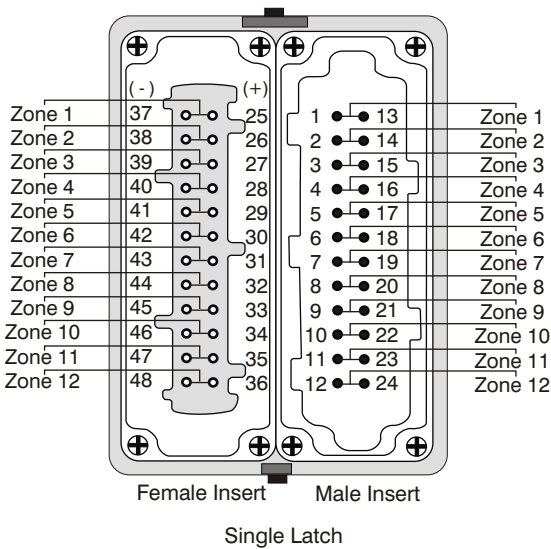
Single Latch



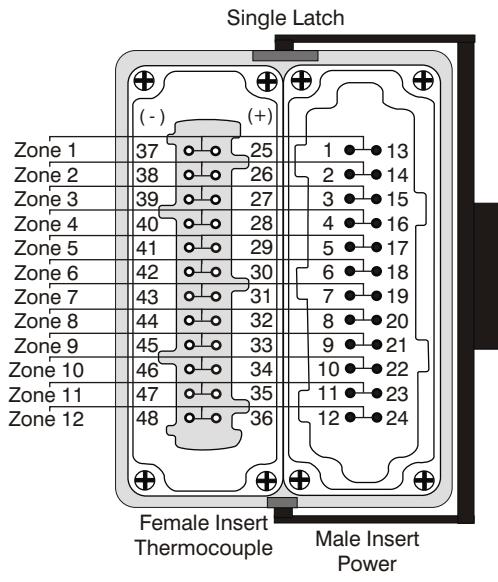
A3



A2



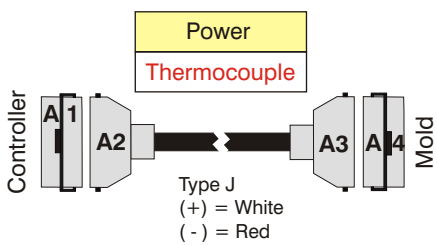
A4



DWG 13

Date: 8.24.2004
 Enclosure: HBE48 - Single Latch
 Tool End: HBE48 - Single Latch

Gammflux
 Sterling, VA USA Tel. +1-(703) 471-5050
 Wiesbaden, Germany Tel. +49-(0)-611-973430
 Ube, Japan Tel. +81-(836) 54-4369
 www.gammflux.com; www.gammflux.de



Item	Base	Hood	Insert	Strain Relief
A1	6124-018		6124-008/011	
A2		6124-079	6124-007/012	6124-080
A3		6124-079	6124-008/011	6124-080
A4	6124-018		6124-007/012	
Power & T/C Cable	WAE48E48SC?F??			