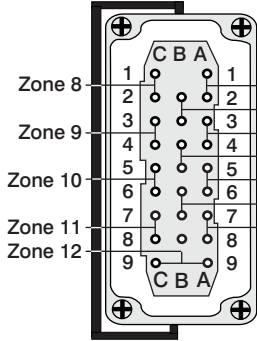
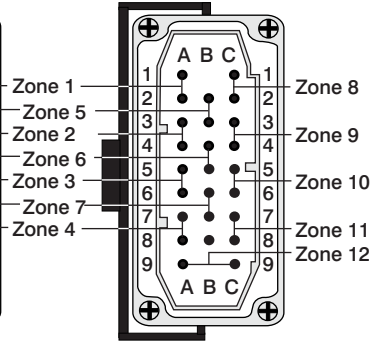


A1

Power

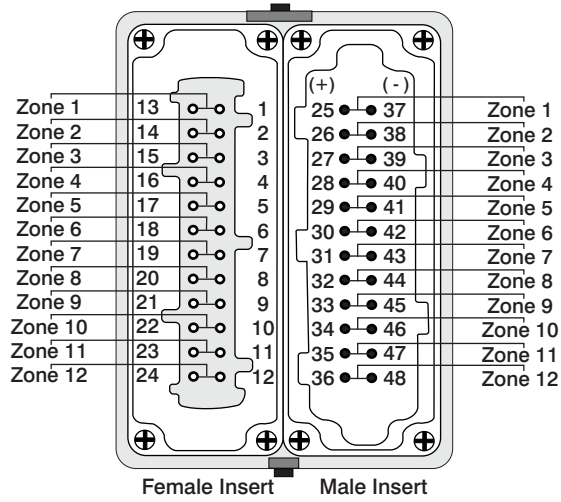
HD25 Female Insert
Single Latch**B1**

Thermocouple

HD25 Male Insert
Single Latch**C1**

Power

Thermocouple

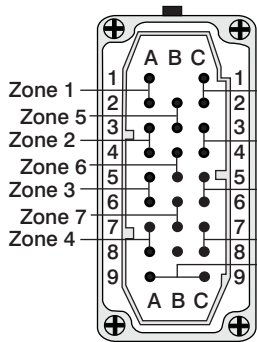


HBE48 Single Latch

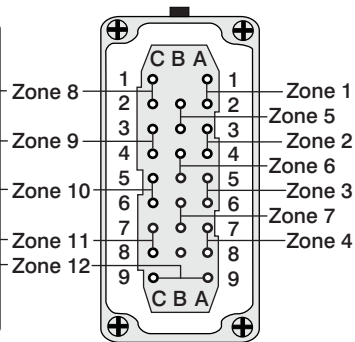
Thermocouple Polarity on Enclosure & Controller End of Cable
 (+) on pins A1, A3, A5, A7, B2, B4, B6, C1, C3, C5, C7, A9
 (-) on pins A2, A4, A6, A8, B3, B5, B7, C2, C4, C6, C8, C9

A2

Power

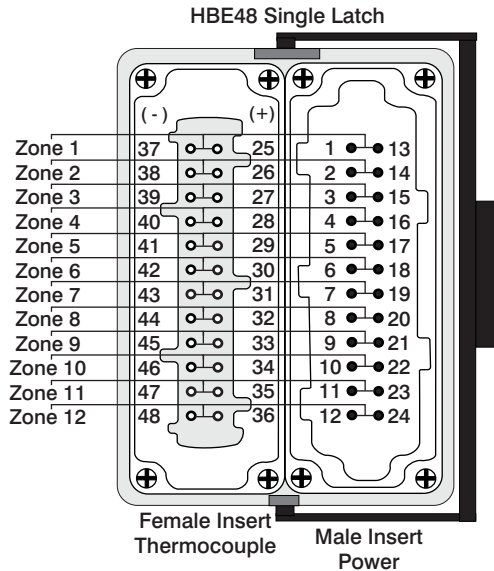
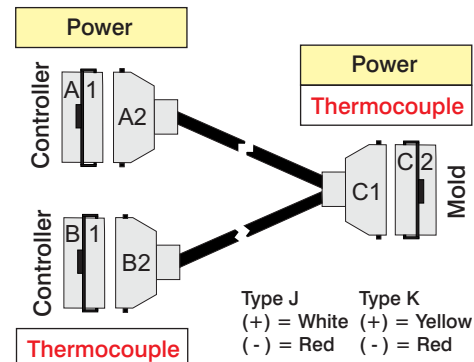
HD25 Male Insert
Single Latch**B2**

Thermocouple

HD25 Female Insert
Single Latch**C2**

Thermocouple

Power

HBE48 Single Latch
Female Insert Thermocouple
Male Insert Power

Type J (+) = White (-) = Red
 Type K (+) = Yellow (-) = Red

Item	Part Number(s)			
	Base	Hood	Insert	Strain Relief
A1	6124-027		6124-026	
A2		6124-157	6124-025	6124-052
B1	6124-027		6124-025	
B2		6124-157	6124-026	6124-036
C1		6124-079	6124-008/011	6124-195
C2	6124-018		6124-007/012	
Power & T/C Cable	WAD51E48SC???			

DWG 12

Date: 8.24.2004
 Enclosure: DME[®] Standard Enclosure
 Tool End: HBE48 - Single Latch

Sterling, VA USA Tel. +1-(703) 471-5050
 Wiesbaden, Germany Tel. +49-(0)-611-973430
 Ube, Japan Tel. +81-(836) 54-4369
 www.gammaflux.com; www.gammaflux.de