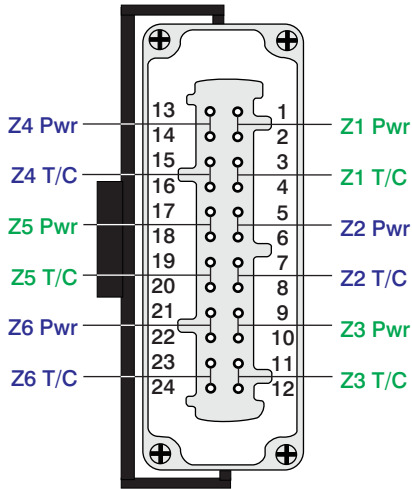


A1

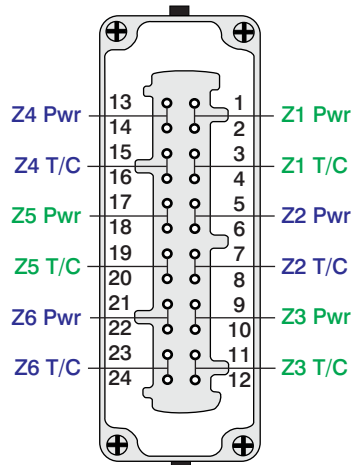
Thermocouple | Power



HBE24 Female Insert
Dual Latch

A3

Thermocouple | Power

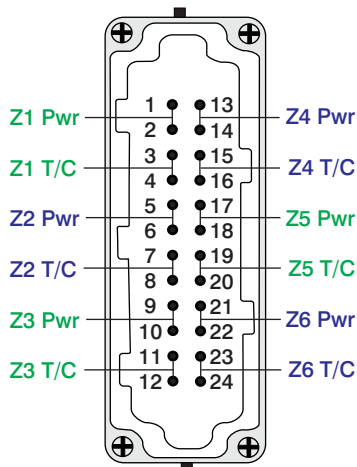


HBE24 Female Insert
Single Latch

Thermocouple Polarity on Mold End of Cable & Mold
(+) on pins 3, 7, 11, 15, 19, 23
(-) on pins 4, 8, 12, 16, 20, 24

A2

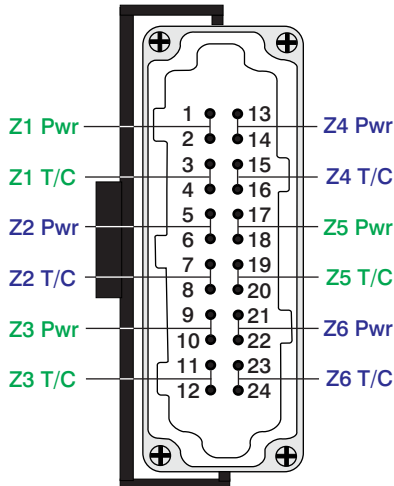
Power | Thermocouple



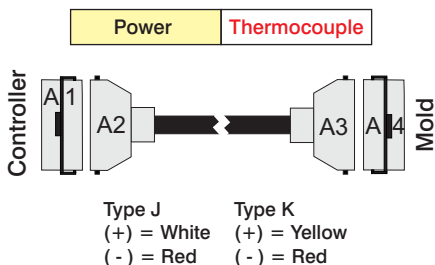
HBE24 Male Insert
Single Latch

A4

Power | Thermocouple



HBE24 Male Insert
Single Latch



Item	Part Number(s)			
	Base	Hood	Insert	Strain Relief
A1				
A2				
A3				
A4				
Combi Cable				

DWG 106

Date: 4.15.2011
Enclosure: Yudo® 6 zone standard - HBE24S
Tool End: HBE24- Single Latch - Power & T/C
Yudo® 6 zone standard

Gammalux

Sterling, VA USA Tel. +1-(703) 471-5050
Wiesbaden, Germany Tel. +49-(0)-611-973430
Ube, Japan Tel. +81-(836) 54-4369
www.gammalux.com; www.gammalux.de